

W1G200-EA95-47

## EC axial fan

sickled blades (S series)

with full round nozzle



**ebm-papst Mulfingen GmbH & Co. KG**

Bachmühle 2

74673 Mulfingen

Phone: +49 7938 81-0

Fax: +49 7938 81-110

[www.ebmpapst.com](http://www.ebmpapst.com)

[info1@de.ebmpapst.com](mailto:info1@de.ebmpapst.com)

### Nominal data

Type	W1G200-EA95-47	
Motor	M1G055-BD	
Phase		1~
Nominal voltage	[VAC]	115
Frequency	[Hz]	50/60
Type of data definition		rfa
Speed	[min <sup>-1</sup> ]	2200
Power input	[W]	27
Current draw	[A]	0.4
Max. ambient temperature	[°C]	50

ml = max. load · me = max. efficiency · rfa = running at free air · cs = customer specs · cu = customer unit  
Subject to alterations

# EC axial fan

sickled blades (S series)

with full round nozzle

## Technical features

<b>Leakage current</b>	<= 3,5 mA
<b>Size</b>	200 mm
<b>Operation mode</b>	Continuous operation (S1)
<b>Direction of rotation</b>	"V"
<b>Mounting position</b>	Any
<b>Insulation class</b>	"B"
<b>Cable exit</b>	Lateral
<b>Bearing motor</b>	Ball bearing
<b>Mass</b>	1.0 kg
<b>Material of electronics housing</b>	Rotor: Coated in black
<b>Material of impeller</b>	Sheet steel, black (wall ring of PP20TV plastic)
<b>Motor protection</b>	Thermal overload protector (TOP) wired internally
<b>Product conforming to standard</b>	CE
<b>Number of blades</b>	5
<b>Type of protection</b>	IP 54
<b>Protection class</b>	II
<b>Technical features</b>	The programming unit can be used to program 2 speeds between n min. and n. max.
<b>Approval</b>	CSA C22.2 Nr.113; UL 507; VDE

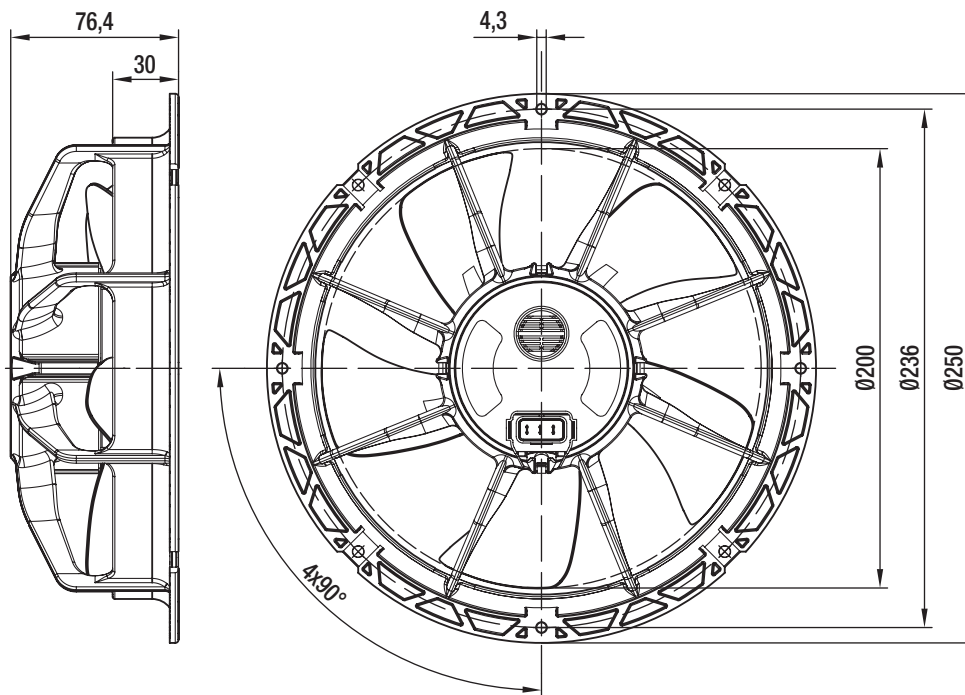
W1G200-EA95-47

## EC axial fan

sickled blades (S series)

with full round nozzle

### Product drawing



# EC axial fan

sickled blades (S series)

with full round nozzle

## Connection screen

